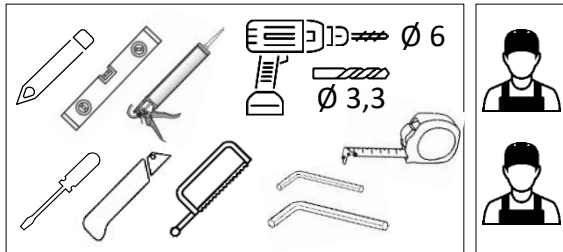
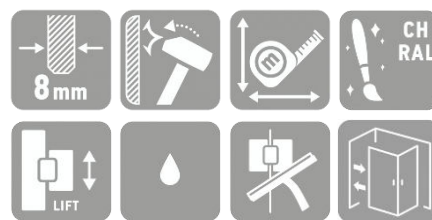
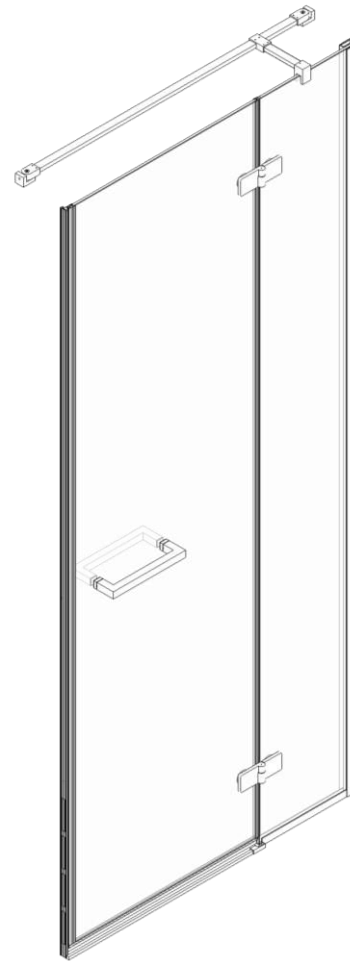


# KRISTIN PLUS

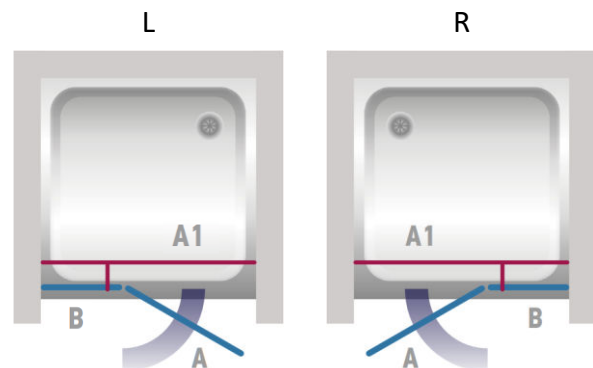
## Shower door installation instructions

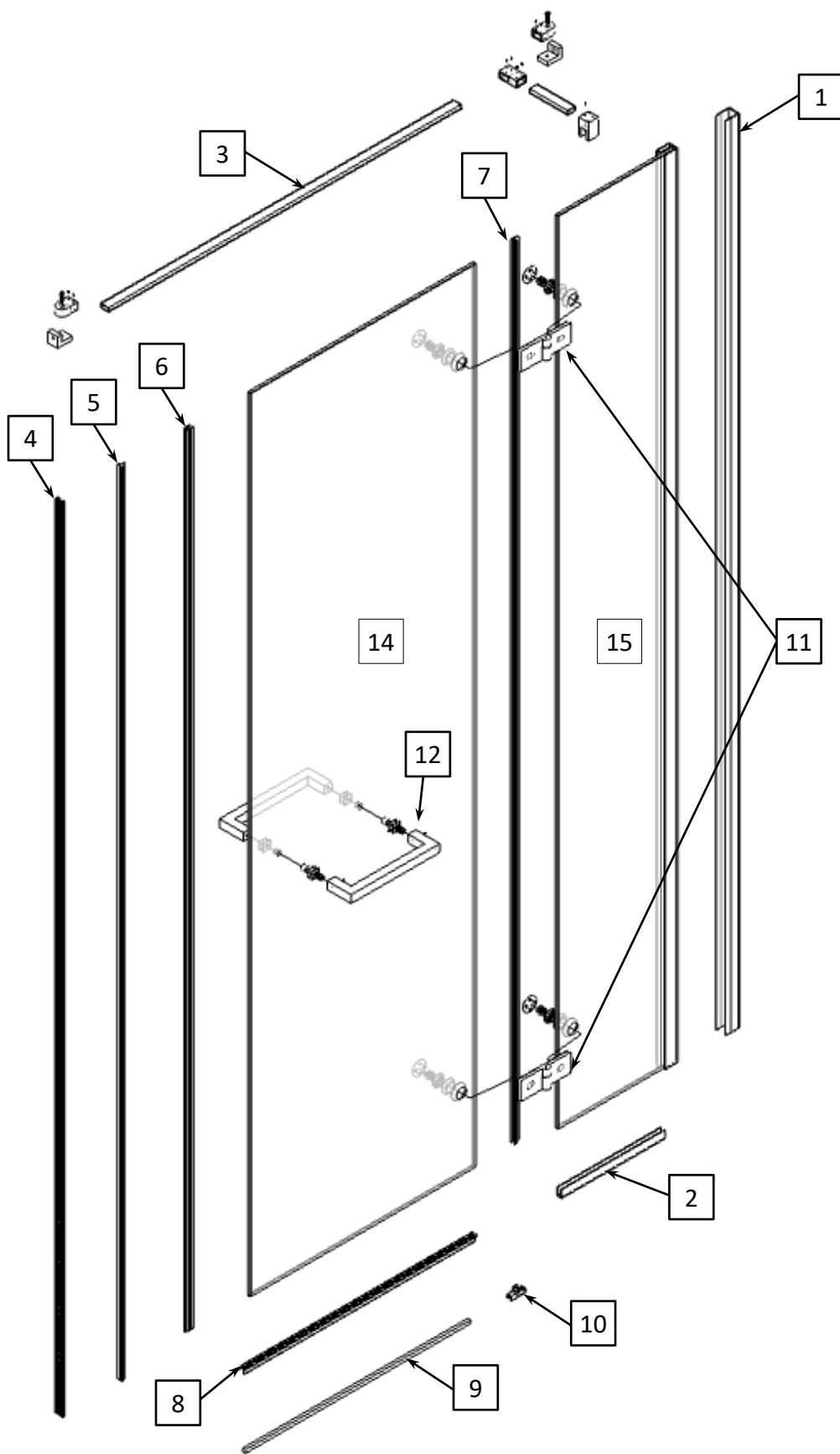


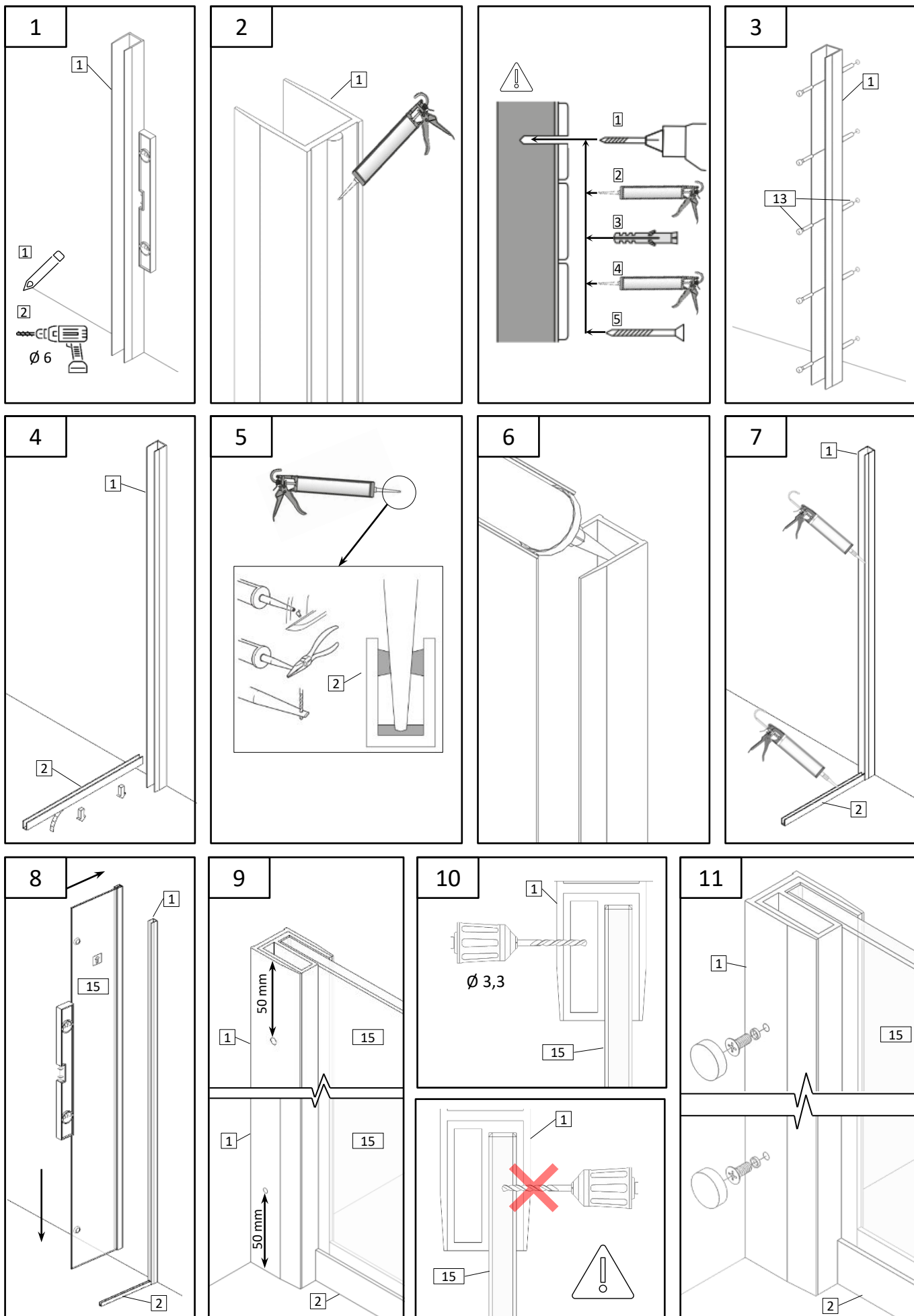
|      |  |                      |     |
|------|--|----------------------|-----|
| 1.   |  | SC-alu2010           | 1   |
| 2.   |  | PAL-01B              | 1   |
| 3.   |  | DZT1000CHR           | 1   |
| 4.   |  | GC-2032              | 1   |
| 5.   |  | MF-43MAGN            | 1   |
| 6.   |  | MF-42/8-ER           | 1   |
| 7.   |  | R1653308             | 1   |
| 8.   |  | 400211PS-013         | 1   |
| 9.   |  | SC-ALU8X9NEW         | 1   |
| 10.A |  | SC-SL-UZL180R        | 1   |
| 10.B |  | SC-SL-UZL180L        | 1   |
| 11.  |  | LUG180LBN/LUG180 RBN | 2   |
| 12.  |  | LUX – CH - 2856G     | 1   |
| 13.  |  | 3,5x35 SK1SET; Ø 6   | 5+5 |
| 14.  |  | 3,5x13 SK2SET        | 2   |
| 15.  |  | 8 mm Safety Glass    | 1   |
| 16.  |  | 8 mm Safety Glass    | 1   |

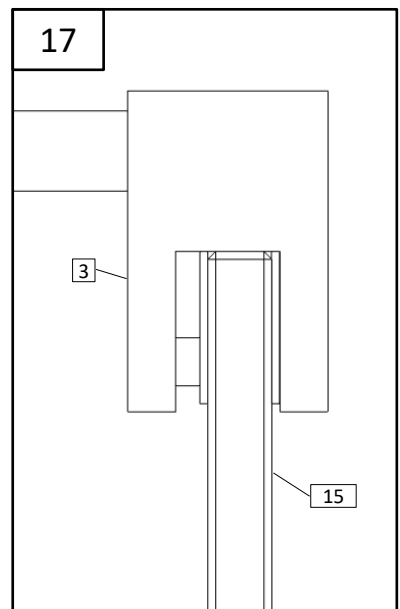
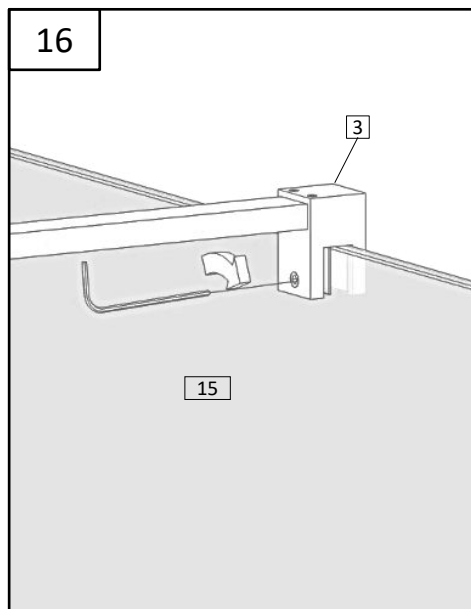
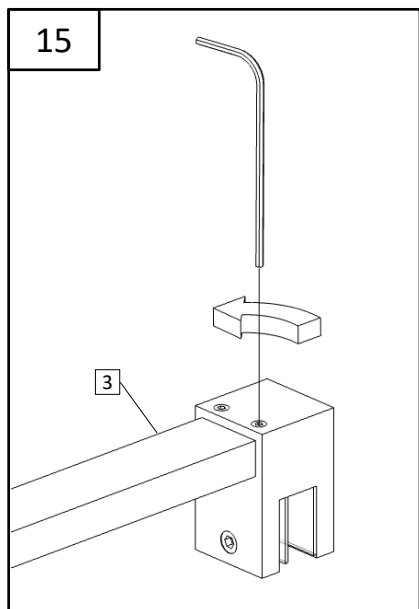
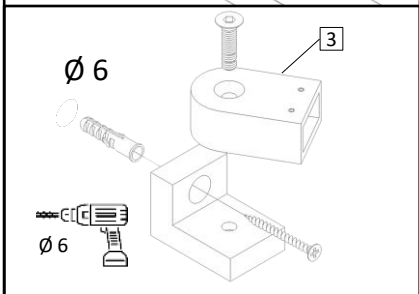
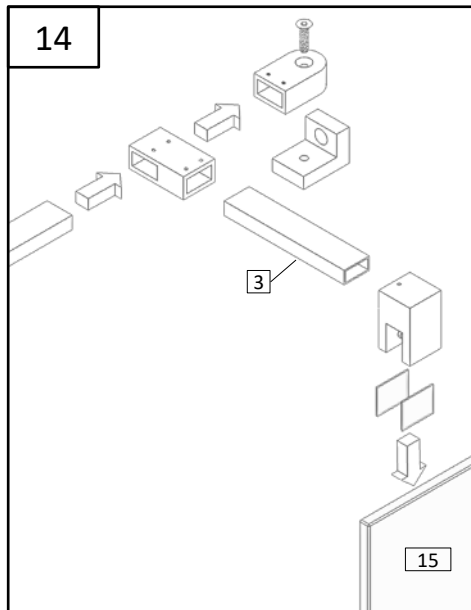
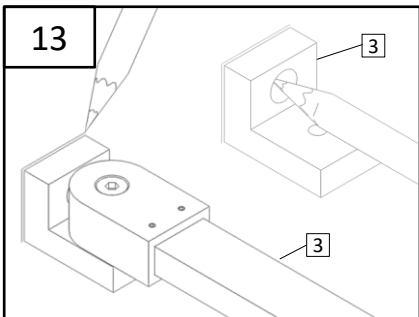
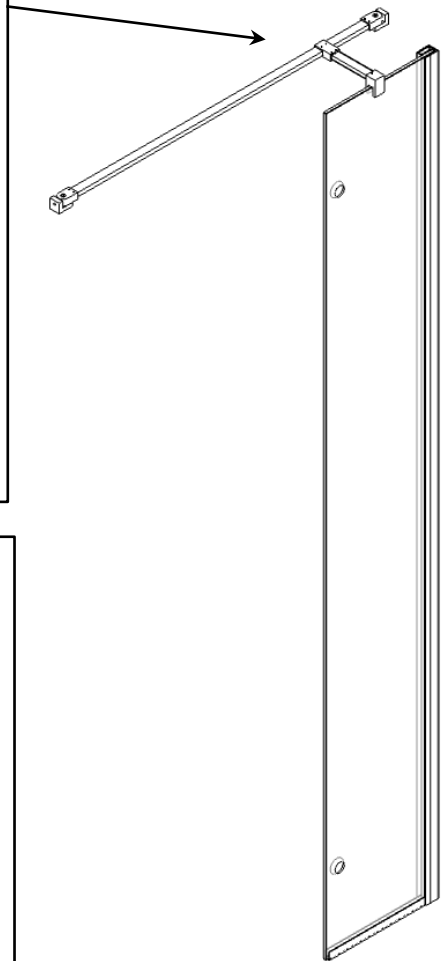
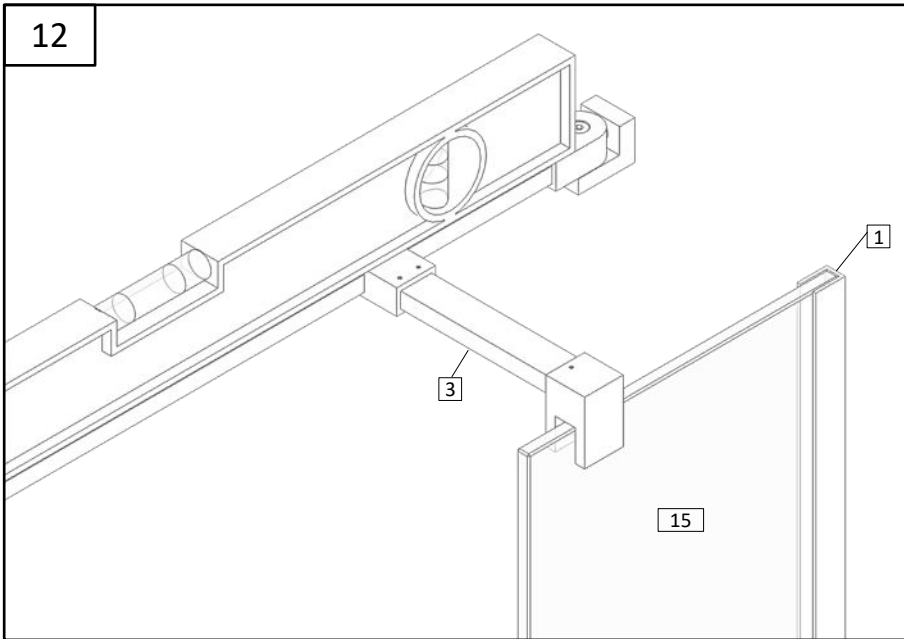


|             | A + B     | B   |
|-------------|-----------|-----|
| 700 x 2000  | 695-710   | 200 |
| 800 x 2000  | 795-810   | 200 |
| 900 x 2000  | 895-910   | 300 |
| 1000 x 2000 | 995-1010  | 300 |
| 1100 x 2000 | 1095-1110 | 400 |
| 1200 x 2000 | 1195-1210 | 500 |

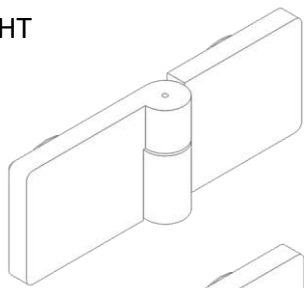




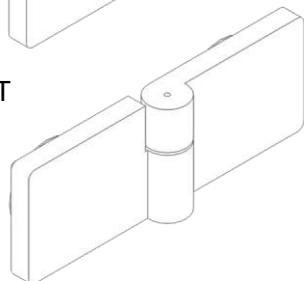




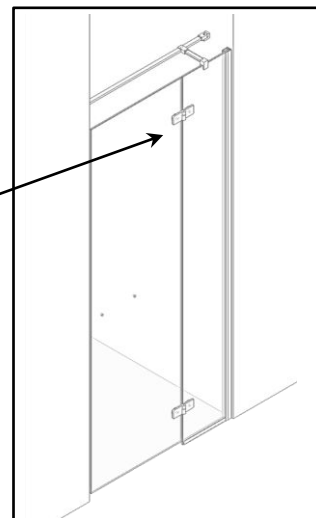
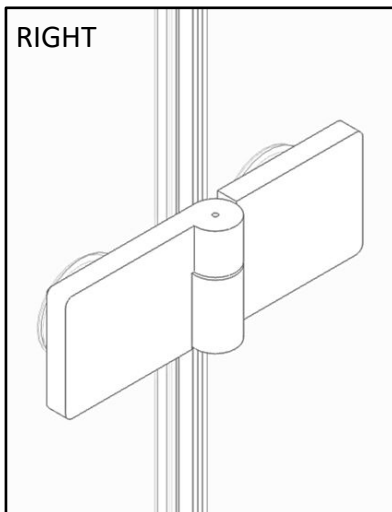
RIGHT



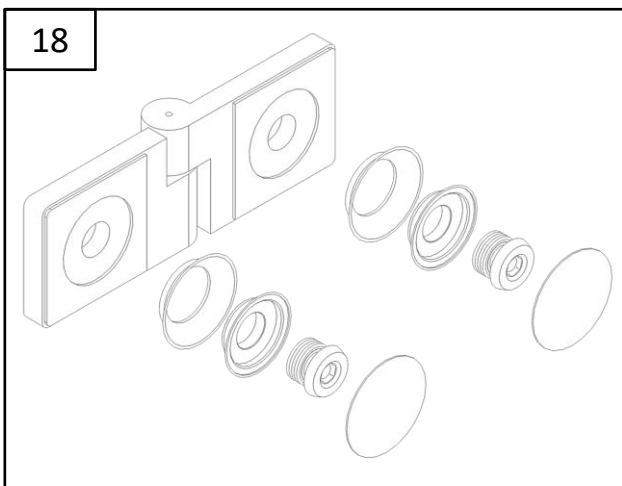
LEFT



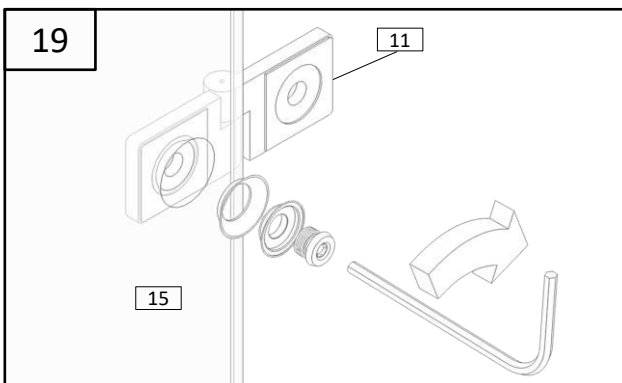
RIGHT



18



19



20

